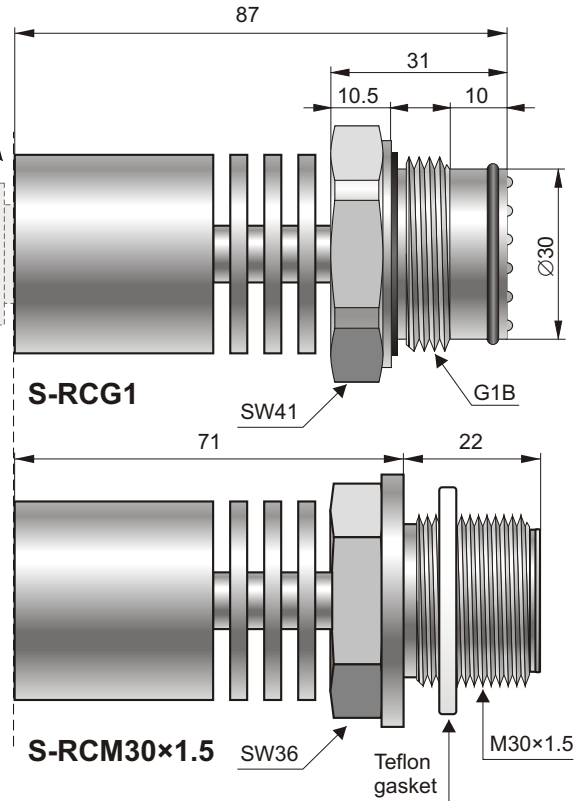
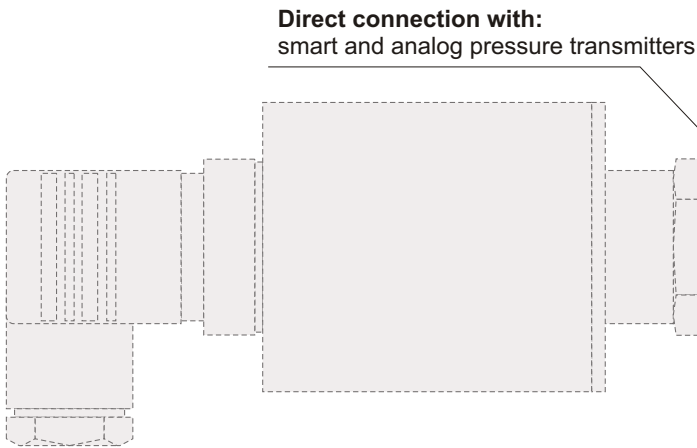


Threaded seals with flush diaphragm and radiator S-RC



Application

S-RC diaphragm seals are applicable to the measurement of hot, viscous, solidifying or contaminated liquids, in any cases where an impulse line cannot be used.

Installation

For installation of transmitters with S-RC diaphragm seals, the Aplsens fitting sockets are recommended.

Recommended minimum measuring range 0.4bar
(for pressure transmitters)

Additional absolute zero error resulting from ambient temperature

60 mbar / 10°C for range ≥ 2.5 bar

10 mbar / 10°C for range < 2.5 bar

An additional zero error, resulting from temperature fluctuations in a medium, depends on the temperature gradient in the oil-based diaphragm sealing system. The error value is, in any case, significantly smaller than the error value shown above.

Maximum measuring range

0...40 bar for S-RCG1 and S-RCM30x2

0...160 bar for S-RCM30x1.5

Overpressure limit

100 bar for S-RCG1 and S-RCM30x2; 250 bar for S-RCM30x1.5

Medium temperature range 0...160°C

Material of diaphragm and seal

00H17N14M2 (316Lss)

Special versions

- ◇ Diaphragm seal for temperatures up to 260°C
- ◇ Hastelloy – wetted parts of diaphragm seal made of Hastelloy C276 (overpressure limit 40 bar)
- ◇ Aseptic version S-RCG1, S-RCM30x2: sealing upstream the thread, filling liquid - edible oil (max. temp. 150°C)
- ◇ Others

Ordering procedure

transmitter / S-RC___ / special version – description

Pressure transmitter – see the code in the appropriate catalogue sheet

Type of process connection:
CG1", CM30x2, CM30x1.5

Example: PCE-28 pressure transmitter, range 0–1bar, cable electrical connection, S-RC diaphragm seal with CG1" process connection.

PCE-28 / 0 ÷ 1 bar / PK / S-RCG1