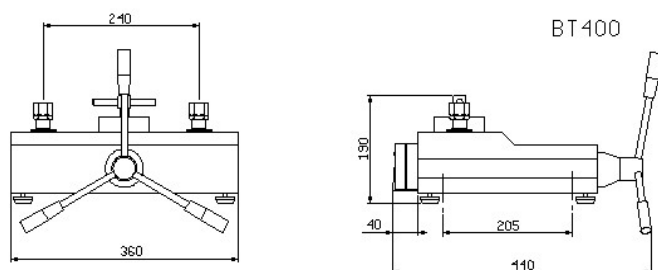


Hydraulic Comparison Calibration Pump**for the comparison calibration of pressure gauges, transmitters, switches...****Type BT 400-OX: up to 400 bar / 5800 psi, for OXYGEN use, free of oil****Features:**

- Structure in 2 mm thick metal sheets designet to simplify carrying
- To be fitted onto a work bench by means of 4 adjustable feet or attached to a surface by means of holes on the base
- High pressure unit made in one piece with a brass rod
- Bronze trapezoidal screws and nut screws with st.st. bearing
- Triple-stroke hand-wheel tilted towards operator
- Sockets for 1/2" BSP manometers with rotating screw nut
- St.st. build-in reservoir with hand-wheel operated head valve
- Hydraulic liquid used: distilled water
- Free of oil, suitable for OXYGEN



BT400-OX with Calibrator LPC 300 and test item

Dimensions:**Technical Data:****BT400-OX**

Range of Use:	0 - 400 bar / 0 - 5800 psi
Test pressure:	600 bar / 8700 psi
Total capacity:	76 cm ³
Displacement / turn:	appr. 2 cm ³
Total screw stroke:	appr. 160 mm
Operative stress:	at 50 bar appr. 1 Kgm
Dimensions:	450 x 360 x 300 mm
Weight:	14 kg

Typical operation:

Comparison calibration of pressure gauges, transmitters, pressure switches, transducers with reference instrument (test gauge, precision indicator). The sturdiness and compactness make the BT400-OX easy to use both in the laboratory and on site in the field.

**DRUCK & TEMPERATUR Leitenberger GmbH**

Bahnhofstr. 33 • D-72138 Kirchentellinsfurt • Germany

Tel.: +49 - 71 21 - 9 09 20 - 0 • Fax: +49 - 71 21 - 9 09 20 - 99

E-Mail: DT-Export@Leitenberger.de • <http://www.druck-temperatur.de>

Standard Accessories:

- Service box wrench Ch 27
- 3/8" BSP rotating connection
- Complete series of spare gaskets
- Case for carrying spare parts
- Operating manual



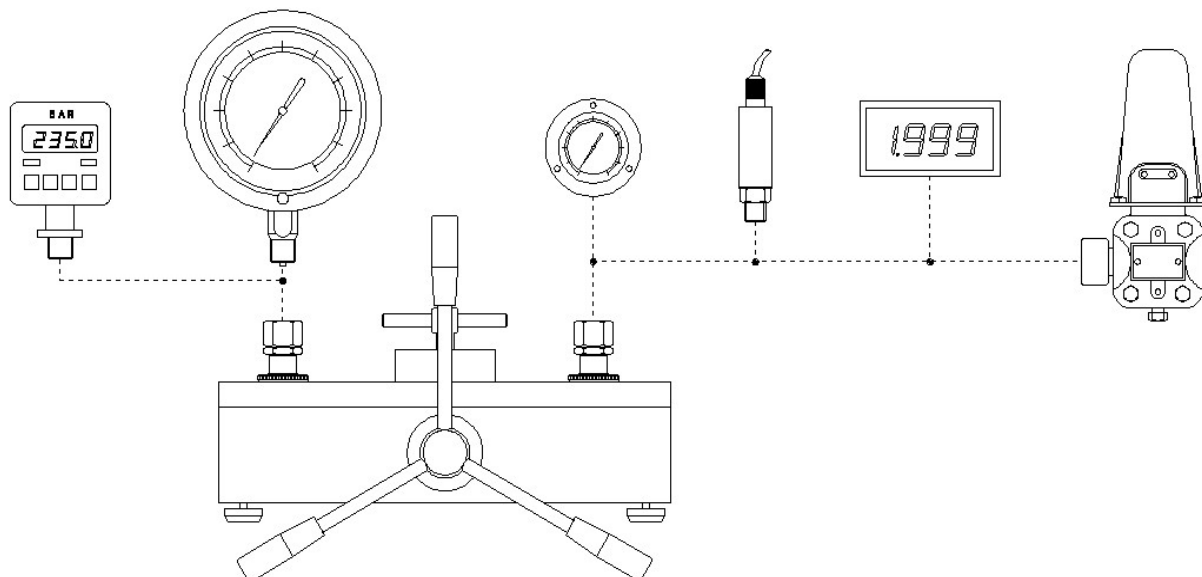
Optional Accessories:

- Analogue test pressure gauges 17.1, Accuracy $\pm 0.6\%$ f.s. to $\pm 0.1\%$ f.s., free of oil, for oxygen use
- Electronic pressure calibrator LPC 300, Accuracy $\pm 0.025\%$ f.s., free of oil, for oxygen use



Note:

The test pressure gauges shown on the pictures/images are not included in standard supply.



DRUCK & TEMPERATUR Leitenberger GmbH

Bahnhofstr. 33 • D-72138 Kirchentellinsfurt • Germany
Tel.: +49 - 71 21 - 9 09 20 - 0 • Fax: +49 - 71 21 - 9 09 20 - 99

E-Mail: DT-Export@Leitenberger.de • <http://www.druck-temperatur.de>

